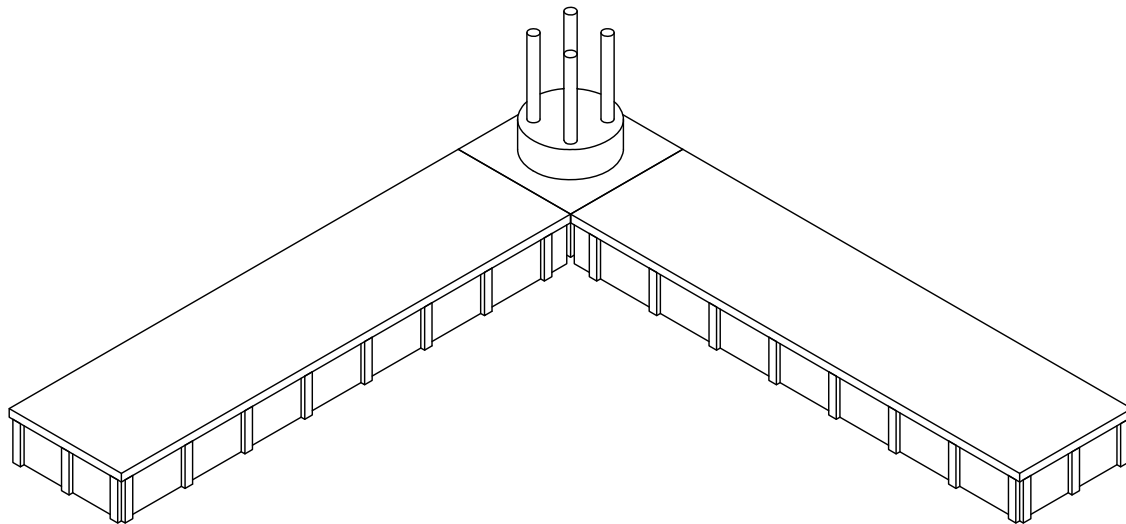
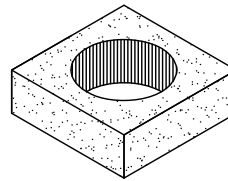
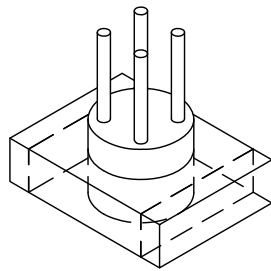
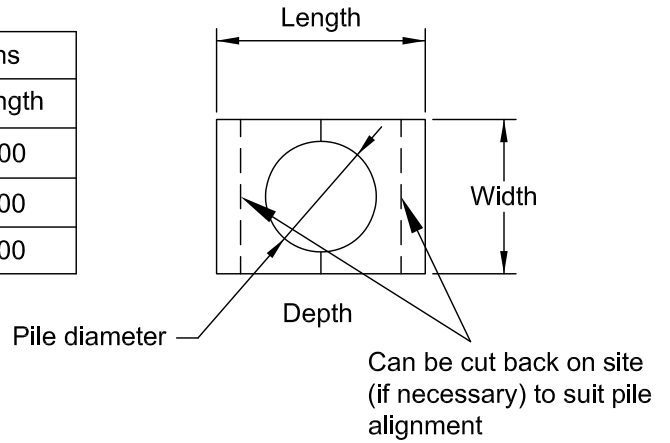


Ref:	Max Frank Pecavoid® Standard Details		
Drawing Title:	Clayfill - Pile Collar Arrangement	REV	
		0	
DRG No:	MFL-PECAV-016	Date:	SEPT 2017
		Scale:	NTS



HEAVE POTENTIAL	Typical Pile Collar Dimensions		
	Depth	Width	Length
LOW	85	300	400
MEDIUM	155	450	600
HIGH	220	600	800



PECAVOID®
CLAYFILL PILE COLLAR ARRANGEMENT